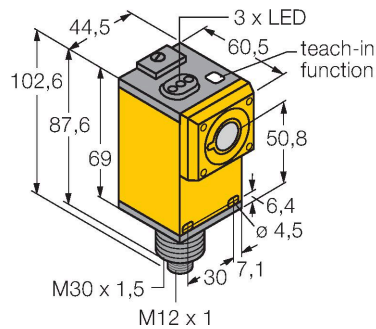


Q45UR3BA63CQ6K

Ultrasonic Sensor – diffuse mode sensor

With Switching Output



Features

- Switching output, PNP/NPN adjustable
- NO/NC adjustable
- Integrated temperature compensation
- Aperture angle of sonic cone 15 °
- Blind zone: 5 cm
- Range: 25 cm

Functional principle

Ultrasonic sensors detect a multitude of objects contactless and wear-free with ultrasonic waves. Regardless of whether the object is transparent or opaque, metallic or non-metallic, liquid, solid or powdery. Even environmental conditions such as spray, dust or rain hardly affect their function.

Technical data

Type	Q45UR3BA63CQ6K
ID	3053741
Ultrasonic data	
Function	Proximity switch
Range	50...250 mm
Ultrasound frequency	400 kHz
Repeatability	≤ ± 1 mm
Temperature drift	≤ 0.13 % of full scale/K
Electrical data	
Response time typical	< 40 ms
Output function	NO contact, PNP
Short-circuit protection	yes / Cyclic
Reverse polarity protection	Complete
Mechanical data	
Design	Rectangular, Q45
Radiation direction	straight
Dimensions	60.5 x 44.5 x 102.6 mm
Housing material	Plastic, Thermoplastic polyester
Transducer material	Plastic, Epoxyd resin and PU foam
Electrical connection	Connector, M12 × 1, PVC
Ambient temperature	-25...+70 °C
Relative humidity	85 %
Protection class	IP67
Tests/approvals	
MTTF	50 years acc. to SN 29500 (Ed. 99) 40 °C

Technical data

Approvals

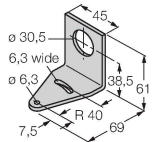
CE

Accessories

SMB30A

3032723

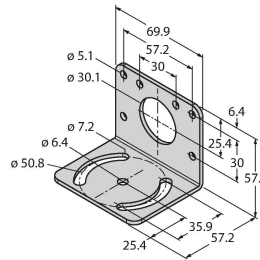
Mounting bracket, rectangular, stainless steel, for sensors with 30mm thread



SMB30MM

3027162

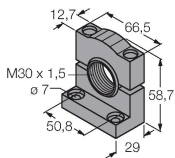
Mounting bracket, rectangular, stainless steel, for sensors with 30 mm thread, wide holes for accurate alignment



SMB30SC

3052521

Mounting bracket, PBT black, for sensors with 30 mm thread, rotatable



Accessories

Dimension drawing	Type	ID	
	RKC4.5T-2/TEL	6625016	Connection cable, M12 female connector, straight, 5-pin, cable length: 2 m, jacket material: PVC, black; cULus approval
	WKC4.5T-2/TEL	6625028	Connection cable, M12 female connector, angled, 5-pin, cable length: 2 m, jacket material: PVC, black; cULus approval

Accessories

Dimension drawing	Type	ID
	M18C2.0	3053022
	Q13C2.0	3059424
	S18C2.0	3056827