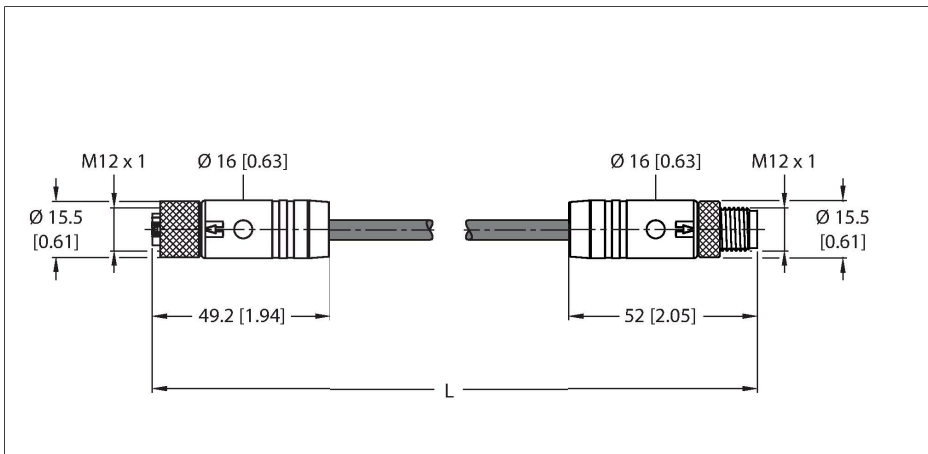


# RKS56PLB-0.3-RSS56PLB/TXG

## Supply Cable — M12 Power – Extension Cable



### Technical data

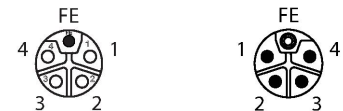
|                              |  |
|------------------------------|--|
| Type                         | RKS56PLB-0.3-RSS56PLB/TXG                                    |
| ID                           | 100023940  |
| Connector A                  | Female, M12 × 1, Straight, L-coded                           |
| Number of Pins               | 4+FE   |
| Contacts                     | Copper-nickel, CuNi, Gold-plated                             |
| Contact carriers             | Plastic, PBT GF, Black                                       |
| Connector body               | Plastic, TPE, Black  |
| Coupling nut/screw           | Brass, CuZn, Nickel-plated                                   |
| Seal                         | Plastic, FPM/FKM   |
| Tightening torque (range)    | 0.5 ... 0.6 Nm<br>(observe max. torque of mating connector!) |
| Mechanical lifespan          | > 100 Mating cycles  |
| Pollution degree             | 3  |
| Protection class             | IP65, IP67, IP69K, Only in screwed condition                 |
| Connector B                  | Male, M12 × 1, Straight, L-coded                             |
| Number of pins               | 4+FE   |
| Contacts                     | Copper-nickel, CuNi, Gold-plated                             |
| Contact carriers             | Plastic, PBT GF, Black                                       |
| Connector body               | Plastic, TPE, Black  |
| Coupling nut/retaining screw | Brass, CuZn, Nickel-plated                                   |
| Tightening torque            | 0.5 ... 0.6 Nm<br>(observe max. torque of mating connector!) |
| Mechanical life              | > 100 Mating cycles  |
| Pollution degree             | 3  |
| Protection class             | IP65, IP67, IP69K, Only when screwed together                |

### Features



- M12 female connector, L-coded, straight, 5-pin (4+FE)
- Shield on coupling nut
- M12 male connector, L-coded, straight, 5-pin (4+FE)
- Jacket material: PUR
- Jacket color: gray
- Highly resistant to oils, coolants, lubricants and emulsions
- Suitable for use in drag chains
- Resistant to vibrations and shocks
- Flame retardant
- Halogen-free
- RoHS compliant
- UL approval
- Protection class: IP65, IP67, IP69K
- Cable length: 0.3 m

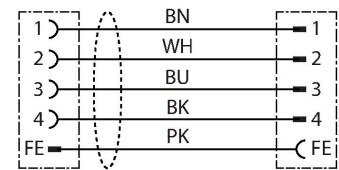
### Contact assignment



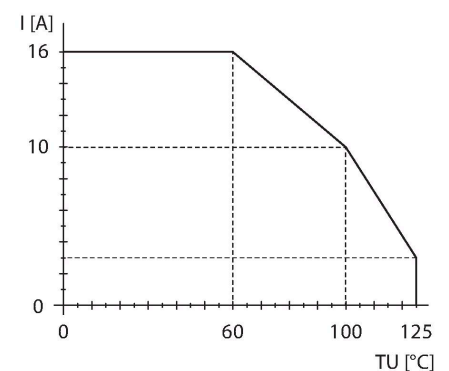
## Technical data

| Cable   |  |
|---|--|
| Cable diameter                                  | Ø 10.4 mm ±0.20                        |
| Cable length                                    | 0.3 m                                  |
| Cable jacket                                    | PUR, Gray                              |
| Core insulation                                 | PP                                     |
| Core cross-section                              | 5 x 1.5 mm <sup>2</sup>                |
| Core colors                                     | BN, WH, BU, BK, PK                     |
| Electrical properties at +20 °C                 |  |
| Rated voltage                                   | 50 V <sub>AC</sub> /60 V <sub>DC</sub> |
| Current   | 16 A                                   |
| Mechanical and chemical properties              |  |
| Bending radius (stationary installation)        | ≥ 4 x Ø                                |
| Bending radius (flexible use)                   | ≥ 7 x Ø                                |
| Bending cycles                                  | ≥ 10 million                           |
| Admissible acceleration                         | max. 5 m/s <sup>2</sup>                |
| Admissible travel path, horizontal              | 5 m (at 5 m/s <sup>2</sup> )           |
| Ambient temperature range (stationary)          | -40...+80 °C                           |
| Ambient temperature range (In motion)           | -30...+80 °C                           |
| Ambient temperature during drag chain operation | -20...+60 °C                           |
| Qualified for drag chain use                    | yes                                    |
| Halogen-free                                    | yes                                    |
| Oil-resistant                                   | yes                                    |
| Flame-retardant                                 | yes                                    |
| Approvals                                       | cULus                                  |

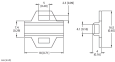
## Circuit Diagram



## Derating Curve



## Accessories

| Dimension drawing   | Type                  | ID        |  |
|---|-----------------------|-----------|--|
|  | LABEL-HOLDER-FLEX-PVC | 100048170 | PVC label holder for identification of extension cables (TEL/TXL product series); for cable diameters: min. 5 mm; dimensions 4 × 18 mm; delivery unit: 50 pcs. per package |