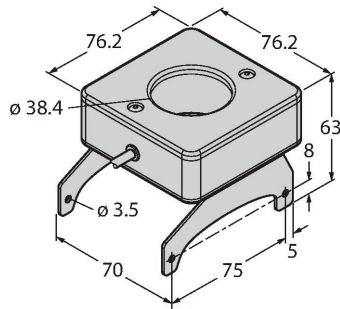


LEDIRV70XD5-XM

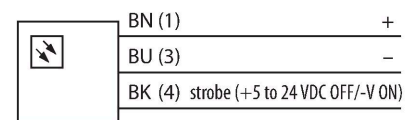
Vision System – Ring Light



Features

- Close-range illumination
- Protection class: IP50
- Color: infrared
- Power supply: 24 VDC
- Fixed set light intensity

Wiring diagram



Technical data

Type	LEDIRV70XD5-XM
ID	3097363
Signal and display data	
Purpose	Image processing
Function	Area light
Light type	IR
Wavelength	850...940 nm
Electrical data	
Operating voltage	21.6...26.4 VDC
DC rated operational current	≤ 350 mA
Max. current consumption per color	350 mA
Mechanical data	
Design	Rectangular
Dimensions	76.2 x 76.2 x 63 mm
Housing material	Metal, AL
Window material	Acrylic
Electrical connection	Cable with connector, M8 × 1, 0.3 m, PVC
Number of cores	3
Ambient temperature	0...+50 °C
Protection class	IP50
Tests/approvals	
Approvals	CE, cULus listed

Functional principle

Direct mounting on VE smart camera for easy setup. Illumination of objects directly in front of the sensor.