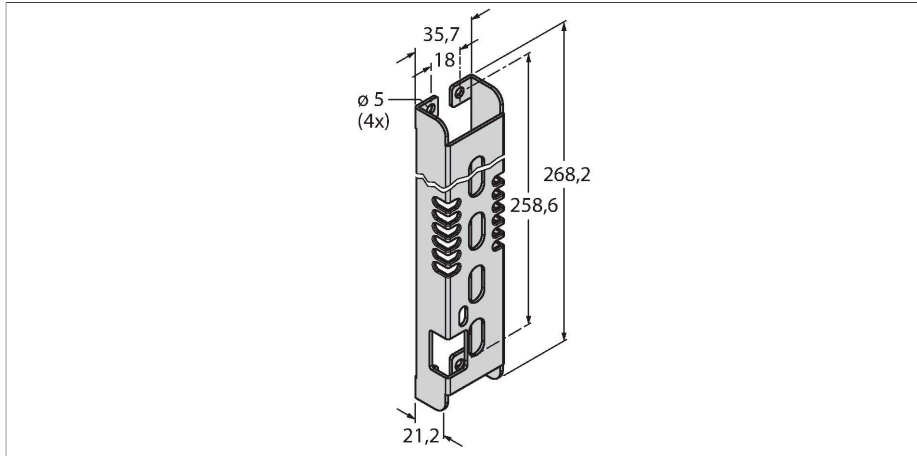


SMBPVD225A

Accessories – Mounting Bracket



Features

- For PVD225
- Stainless steel
- Access to DIP switch

Technical data

Type	SMBPVD225A
ID	3071340