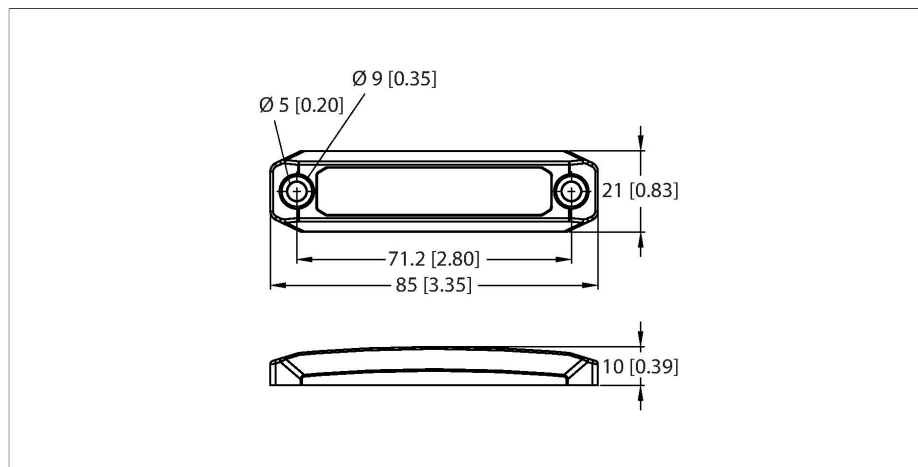


# TW860-960-Q21L85-M-B110

## UHF Tag



### Features

- 168-h exposure of engine oil
- 24-h exposure of salt water (salt content 10 %)
- 24-h exposure of sulfuric acid (10 %, pH 2)
- 24-h exposure of NaOH (10 %, pH 13)
- EEPROM, memory 110 byte
- TID memory: 12 byte
- For direct mounting on metal

### Functional principle

The UHF read/write heads form an air interface the size of which may vary, depending on the combination of read/write head and tag. The read/write distances mentioned here only represent standard values measured under laboratory conditions and free from any influences caused by materials. Attainable distances may vary due to component tolerances, mounting conditions, ambient conditions and material qualities, especially when mounted in metal. Testing of the application under real operating conditions is therefore essential, especially with read/write on-the-fly!

### Technical data

Type	TW860-960-Q21L85-M-B110
ID	100003973
Remark to product	For direct mounting on metal
Data transfer	Alternating electromagnetic field
Technology	UHF RFID
Region (UHF)	Global (860...960 MHz) ETSI (865...868 MHz) FCC (902...928 MHz)
Reading range on metal	10 m (2W ERP)
Memory type	EEPROM
Chip	Impinj Monza 4E
Memory	110 Byte
Memory	Read/Write
Freely usable memory	16 Byte
EPC memory	62 byte
Number of read operations	unlimited
Number of write operations	10 <sup>5</sup>
Typical read time	2 ms/Byte
Typical write time	3 ms/Byte
Radio communication and protocol standards	ISO 18000-63 EPCglobal Gen 2
Temperature during read/write access	-35...+85 °C
Temperature outside detection range	-35...+85 °C
Design	Hard tag
Housing length	21 mm
Housing width	85 mm
Housing height	10 mm
Active area material	Plastic, grey

## Technical data

Protection class	IP68
Packaging unit	1