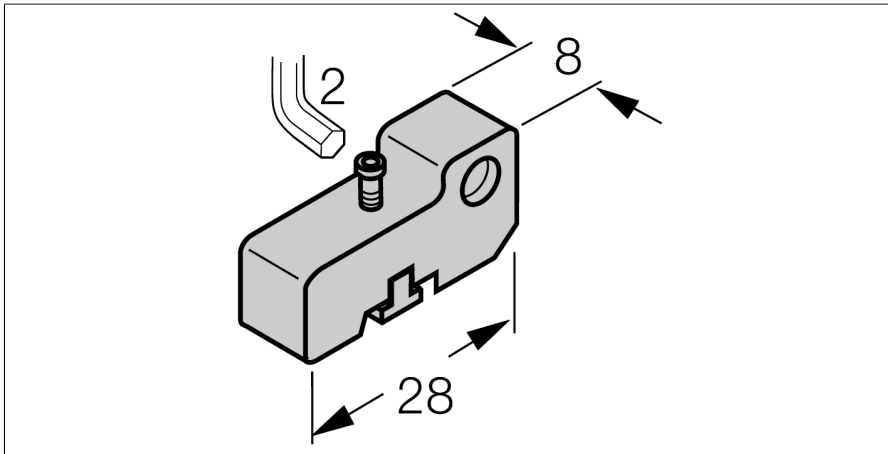


Accessories for Magnetic Field Sensors

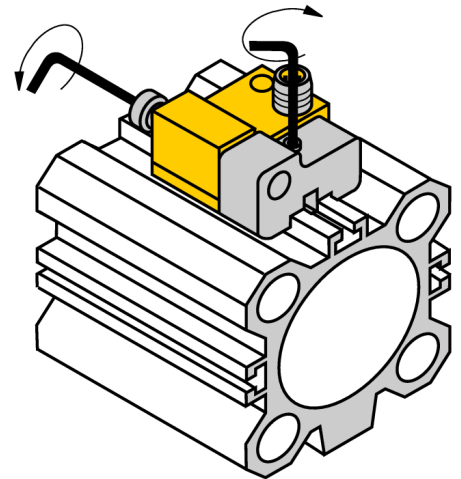
Mounting Bracket for SMC Profile Cylinders

For NST Sensors

SMC-325



- Mounting on profile cylinders from SMC
- For various cylinder diameters
- Metal: Anodized aluminum



Type	SMC-325
ID	A3106
Remark to product	Old ID no. 6970503
Design	Accessories, NST
Dimensions	28 x 8 mm
Fixing clamp for correspondent cylinder diameter	alle
clamping width:	4... 4mm