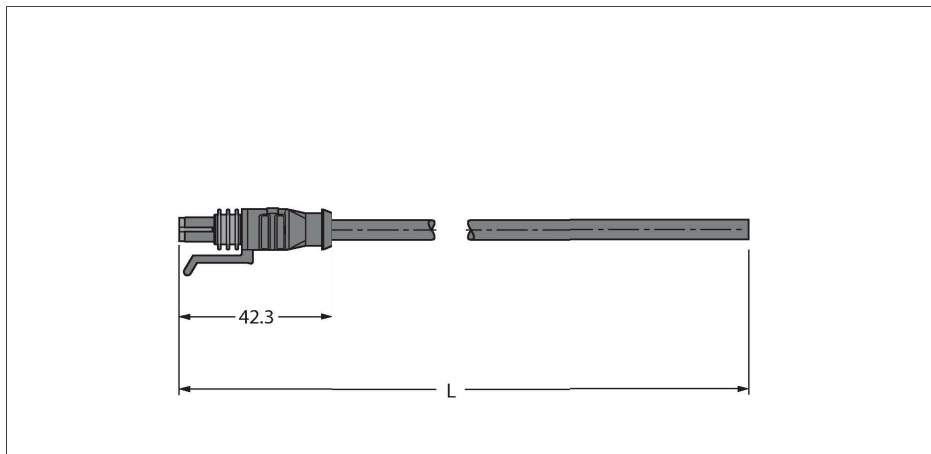


# TSS-4S-A-5/TXL

## Superseal Connector – Connection Cable



### Features

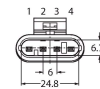


- Superseal connector, female, straight, 4-pin
- Jacket material: TPE-U (PUR)
- Jacket color: black, similar to RAL 7021
- Suitable for drag chain use
- Flame retardant
- Halogen free acc. to DIN VDE 0472 part 815
- RoHS compliant
- Protection classes IP67 and IP69K
- Cable length: 5.0 m

### Contact assignment

### Technical data

Type	TSS-4S-A-5/TXL
ID	100000491
Connector A	Female, Superseal, Straight
Number of Pins	4
Contacts	Bronze, CuSn, Tinned
Contact carriers	Plastic, PA 6.6 GF, Red
Connector body	Plastic, TPU, UL 94, Black
Seal	Plastic, Silicone
Mechanical lifespan	> 100 Mating cycles
Protection class	IP67, IP69K, (plugged)
<b>Cable</b>	
Cable diameter	Ø 5.7 mm ±0.20
Cable length	5 m
Cable jacket	PUR, Black
Core insulation	PP
Core cross-section	4 x 0.75 mm <sup>2</sup>
Arrangement of strands	42 x 0.15 mm
Core colors	BN, WH, BU, BK
<b>Electrical properties at +20 °C</b>	
Rated voltage	24 V
Test voltage	3000 V
Current	7 A
<b>Mechanical and chemical properties</b>	
Bending radius (flexible use)	≥ 6 x Ø
Bending cycles	≥ 2 million
Admissible acceleration	max. 10 m/s <sup>2</sup>
Admissible traversing speed	5 m/s



### Circuit Diagram



## Technical data

Ambient temperature range (stationary) -40...+80 °C

---

Ambient temperature range (In motion) -25...+80 °C

---