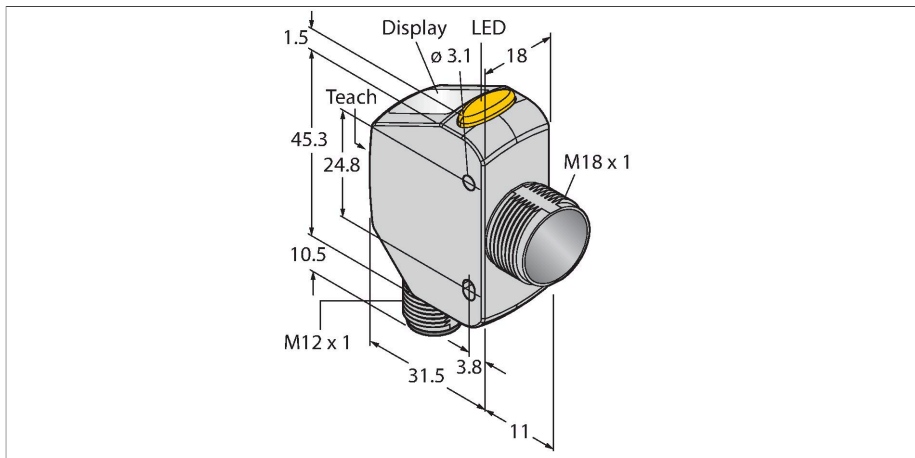


Q4XTULAF500-Q8

Photoelectric Sensor – Laser Distance Sensor (Triangulation)



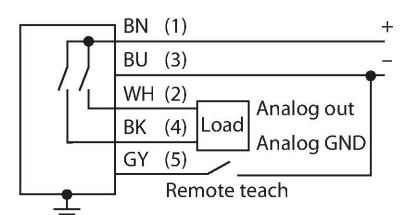
Technical data

Type	Q4XTULAF500-Q8
ID no.	3802875
Optical data	
Function	Proximity switch
Operating mode	Background/foreground suppression
Light type	Red
Wavelength	655 nm
Laser class	▲ 1
Optical resolution	1 mm
Repeatability	0.5 mm
Range	25...500 mm
Ambient light immunity	5000 lux
Electrical data	
Operating voltage	10...30 VDC
DC rated operational current	≤ 28 mA
Short-circuit protection	yes
Reverse polarity protection	yes
Output function	Analog output
Type of analog output	0...10 V
Voltage output	0...10 V
Load resistance	≥ 2500 Ω
Readiness delay	≤ 750 ms
Response time typical	< 0.5 ms
Mechanical data	
Design	Rectangular with thread, Q4X
Dimensions	43.5 x 18 x 57.5 mm
Housing material	Metal, Stainless steel

Features

- 4-digit 7-segment LED display
- 3 buttons
- Output indicator (yellow)
- IP67/69K
- ECOLAB-certified
- Range: 25...500 mm
- Laser class 1, red, 655 nm, acc. to IEC 60825-1:2007
- Operating voltage: 12...30 VDC
- Analog output: 0...10 VDC
- Rectangular model with offset M18 thread
- Stainless steel case (1.4404)

Wiring diagram



Functional principle

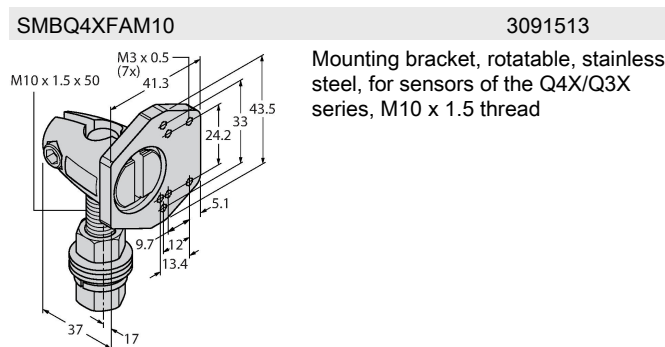
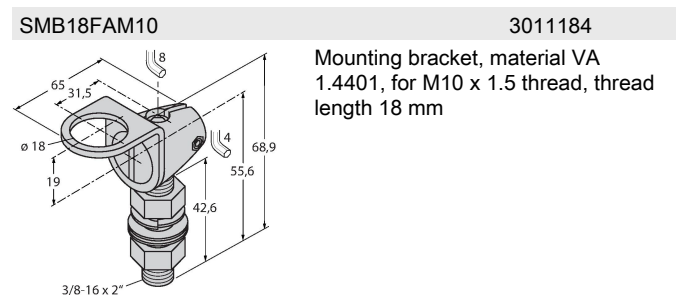
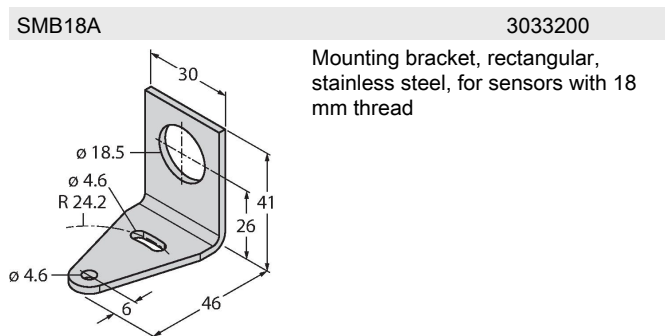
The Q4X is a laser-distance sensor working on the principle of laser triangulation. It has a range of 25...500mm, a resolution of up to 0.3 mm and an analogue laser class 1 power output (0...10 VDC). With the dual mode functionality, the Q4X captures not only distances but also the light intensity that is reflected by an object. This unique feature allows lasers to be used for applications that would have been inconceivable before this. In RUN mode, you can change the switching point, adjust light and dark switching, and teach the sensor accordingly. Another sensor status is setup mode. In setup mode, you can

Technical data

select teach mode, all standard operating parameters, or a factory reset.

Lens	acrylic, PMMA
Electrical connection	Connectors, M12 × 1, PVC
Number of cores	5
Ambient temperature	-10...+50 °C
Storage temperature	-25...+75 °C
Relative humidity	35...95 %
Protection class	IP67 IP68 IP69
Special features	Chemical-resistant Wash down Resistant to chemicals
Switching state	LED, Yellow
Display	4-digit 7-segment LED display
Tests/approvals	
Vibration resistance	MIL-STD-202G, Method 201A (10 to 60 Hz, 1.52 mm peak to peak amplitude, for 2 hours along the x, y and z-axis), sensor operating
Shock test	MIL-STD-202G, Method 213B Condition I (100G 6x along the XYZ-axis, 18 impacts), sensor in operation
Approvals	CE, cULus, ECOLAB

Accessories



Accessories

Dimension drawing	Type	ID no.	
	RKC4.5T-2/TEL	6625016	Connection cable, female M12, straight, 5-pin, cable length: 2 m, sheath material: PVC, black; cULus approval; other cable lengths and qualities available, see www.turck.com
	RKH4.5-2/TFG	6933455	Connection cable, M12 female, straight, 5-pin, stainless steel coupling nut, cable length: 2 m, jacket material: TPE, gray, temperature range -40...+105 °C; other cable lengths and designs available, see www.turck.com
	RKS4.5T-2/TEL	6626361	Connection cable, M12 female connector, straight, 5-pin, cable length: 2 m, sheath material: PVC, black; shielded; cULus approval; other cable lengths and qualities available, see www.turck.com
	WKS4.5T-2/TEL	6626364	Connection cable, M12 female connector, angled, 5-pin, cable length: 2 m, sheath material: PVC, black; shielded; cULus approval; other cable lengths and qualities available, see www.turck.com

Accessories

Dimension drawing	Type	ID no.	
	BRT-Q4X-60X18	3095776	Reflector for Q4X laser sensors for clear object detection or dual-mode applications, rectangular housing: 60 mm x 18 mm

Dimension drawing

Type
BRT-Q4X-60X50ID no.
3095777Reflector for Q4X laser sensors, for
clear object detection or dual-mode
applications, rectangular housing: 60
mm x 50 mm