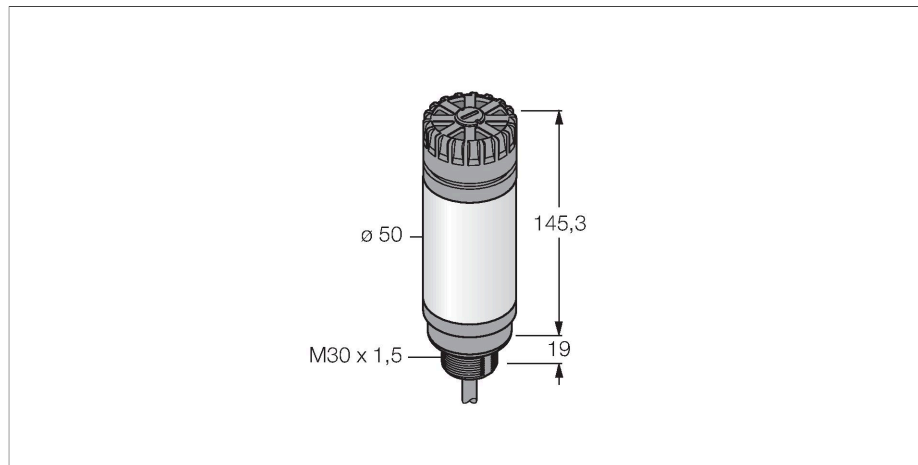


# CL50GRXAN

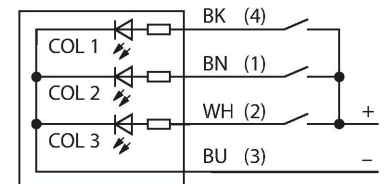
## LED Indicator – Tower Light



### Features

- LED tower light with beeper
- Individually controllable
- Mechanical screw-in thread M30 x 1.5
- Multicolor: Green (COL 1) / Red (COL 2)
- Cable, 2m
- Operating voltage 10...30 VDC
- Beeper max. 92 dB

### Wiring diagram



### Functional principle

Multicolor multifunction acoustic signaller  
 Rugged and well-priced LED tower, easy to install  
 Illuminated segments for clear operator guidance and display of system status.  
 Display of up to 3 colors.  
 Compact devices, no controller required  
 No mounting  
 The wiring diagram shows the PNP input configuration. An instruction leaflet with detailed information about the connection is included with the devices.

### Technical data

Type	CL50GRXAN
ID	3010490
<b>Signal and display data</b>	
Purpose	LED indicator light
Function	Tower light
Light type	Green Red
Dimmable	No
Features of color 1	Green, Permanently on, 72 lm
Features of color 2	Red, Permanently on, 38 lm
Acoustic signal	Continuous tone, 92 dB
<b>Electrical data</b>	
Operating voltage	18...30 VDC
Max. current consumption per color	100 mA
Max. current consumption of beeper	25 mA
Input type	minus-schaltend
Response time typical	< 10 ms
<b>Mechanical data</b>	
Cascadable	No
Design	Smooth barrel, CL50
Dimensions	Ø 50 x 145.3 mm
Housing material	Plastic, ABS/Polycarbonate, Black
Window material	Polycarbonate, diffuse
Electrical connection	Cable, 2 m, PVC
Number of cores	5
Ambient temperature	-20...+50 °C
Relative humidity	0...95 %

## Technical data

Protection class	IP50
------------------	------

Tests/approvals	
-----------------	--

Approvals	CE, UL listed
-----------	---------------