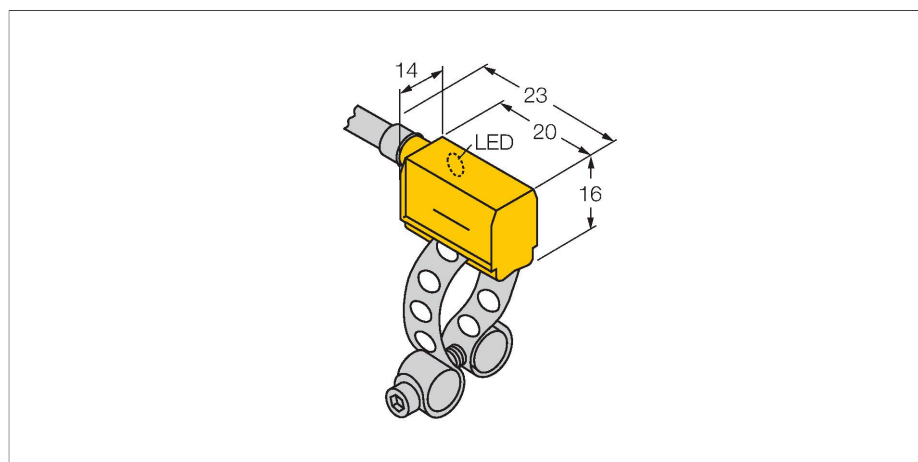


BIM-PST-AP6X

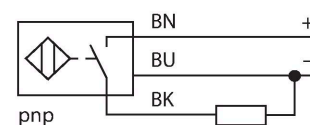
Magnetic Field Sensor – For Pneumatic Cylinders



Features

- Rectangular, height 16 mm
- Active face in front
- Plastic, PA12-GF30
- Magnetic-inductive sensor
- DC 3-wire, 10...30 VDC
- NO contact, PNP output
- Cable connection

Wiring diagram



Functional principle

Magnetic field sensors are activated by magnetic fields and are especially suited for piston position detection in pneumatic cylinders. Based on the fact that magnetic fields can permeate non-magnetizable metals, it is possible to detect a permanent magnet attached to the piston through the aluminium wall of the cylinder.

Technical data

Type	BIM-PST-AP6X
ID	46240
General data	
Pass speed	≤ 10 m/s
Repeatability	≤ ± 0.1 mm
Temperature drift	≤ 0.1 mm
Hysteresis	≤ 1 mm
Electrical data	
Operating voltage	10...30 VDC
Residual ripple	≤ 10 % U _{ss}
DC rated operational current	≤ 200 mA
No-load current	15 mA
Residual current	≤ 0.1 mA
Isolation test voltage	≤ 0.5 kV
Short-circuit protection	yes / Cyclic
Voltage drop at I _e	≤ 1.8 V
Wire breakage/Reverse polarity protection	yes / Complete
Output function	3-wire, NO contact, PNP
Switching frequency	1 kHz
Mechanical data	
Design	Rectangular, PST
Dimensions	23 x 14 x 16 mm
Housing material	Plastic, PA12-GF30
Active area material	Plastic, PA12-GF30
Electrical connection	Cable
Cable quality	Ø 4 mm, Gray, LifYY, PVC, 2 m

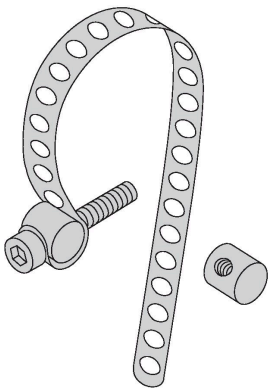
Technical data

Core cross-section	3 x 0.25 mm ²
Environmental conditions	
Ambient temperature	-25...+70 °C
Vibration resistance	55 Hz (1 mm)
Shock resistance	30 g (11 ms)
Protection class	IP67
MTTF	2283 years acc. to SN 29500 (Ed. 99) 40 °C
Mounting on the following profiles	
Cylindrical design	○
Switching state	LED, Yellow
Included in delivery	KLP25

Accessories

KLP 25 MONTAGESET

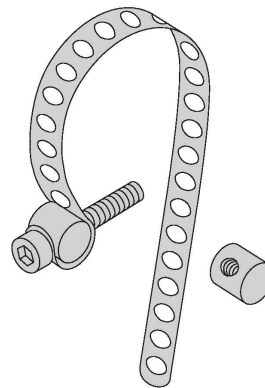
69653



Mounting on round cylinders; cylinder diameter 8...25 mm; material: Metal CuZn; two tie bolts (material: Metal CuZn), cylinder screw M3 x 20

KLP 80-VA

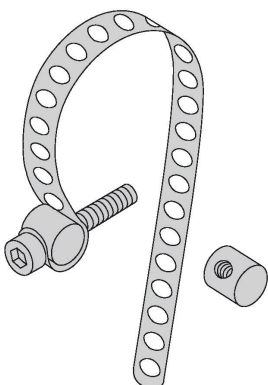
69654



Mounting on round cylinders; cylinder diameter 25...80 mm; material: Metal A2 1.4301 (AISI 304); two tie bolts (material: Metal CuZn, alternatively metal A2 1.4301 / AISI 304) cylinder screw M3 x 20; (DIN 912-A20)

KLP 200-VA

6965302



Mounting on round cylinders; cylinder diameter 80...200 mm material: Metal A2 1.4301 (AISI 304); two tie bolts (material: Metal CuZn, alternatively metal A2 1.4301 / AISI 304) cylinder screw M3 x 20; (DIN 912-A20)