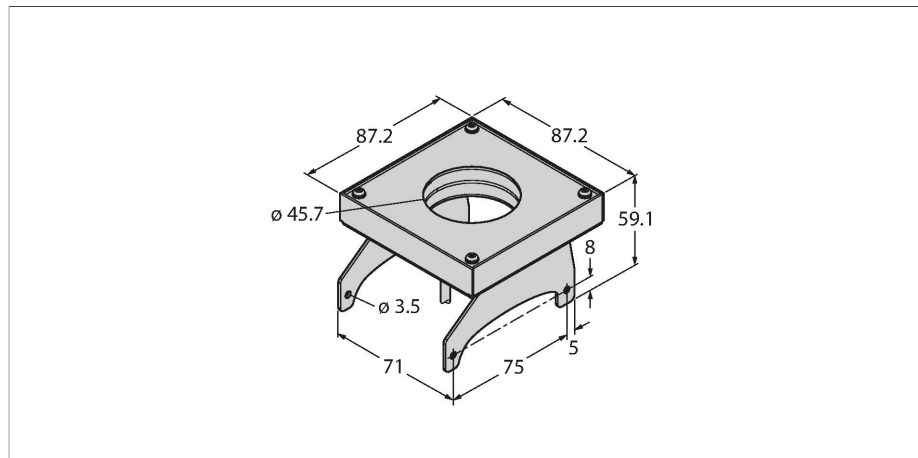


LEDRRV80X80M

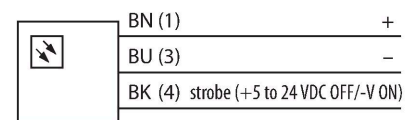
Vision System – Ring Light



Features

- Close-range illumination
- Protection class: IP50
- Color: red
- Power supply: 24 VDC
- Fixed set light intensity

Wiring diagram



Technical data

Type	LEDRRV80X80M
ID	3097373
Signal and display data	
Purpose	Image processing
Function	Area light
Light type	Red
Wavelength	620...630 nm
Features of color 1	Red
Electrical data	
Operating voltage	21.6...26.4 VDC
DC rated operational current	≤ 250 mA
Max. current consumption per color	250 mA
Mechanical data	
Design	Rectangular
Dimensions	87.3 x 87.3 x 35.5 mm
Housing material	Metal, AL
Window material	Acrylic
Electrical connection	Cable with connector, M8 x 1, 0.3 m, PVC
Number of cores	3
Ambient temperature	0...+50 °C
Protection class	IP50
Tests/approvals	
Approvals	CE, cULus listed

Functional principle

Direct mounting on VE smart camera for easy setup. Illumination of objects directly in front of the sensor.