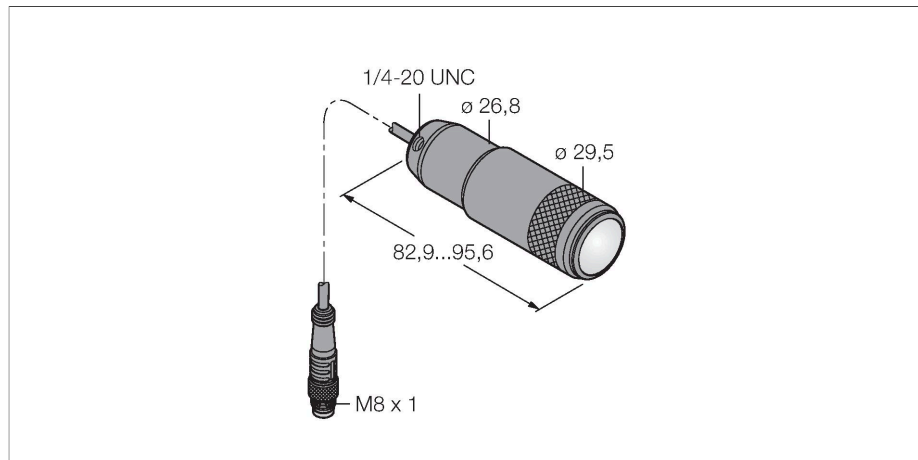


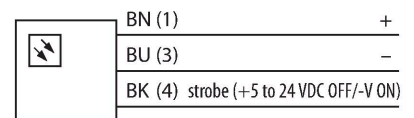
# LEDRSM Vision System – Spotlight



## Features

- Protection class: IP67
- Color: red
- Power supply: 10...30 VDC
- Pigtail M8x1, 2 m

## Wiring diagram



## Technical data

Type	LEDRSM
ID	3079201
<b>Signal and display data</b>	
Purpose	Image processing
Function	Spotlight
Light type	Red
Wavelength	620...630 nm
LED service life (L70)	50000 h
Features of color 1	Red
Special features	Wash down
<b>Electrical data</b>	
Operating voltage	10...30 VDC
DC rated operational current	≤ 360 mA
Max. current consumption per color	360 mA
<b>Mechanical data</b>	
Design	Smooth barrel
Dimensions	Ø 29.5 x 95.6 mm
Housing material	Metal, Anodized AL
Window material	Glass, clear
Electrical connection	Cable with connector, M8 × 1, 2 m, PVC
Number of cores	3
Ambient temperature	-40...+50 °C
Protection class	IP67
<b>Tests/approvals</b>	
Approvals	CE

## Functional principle

Pinpoint illumination