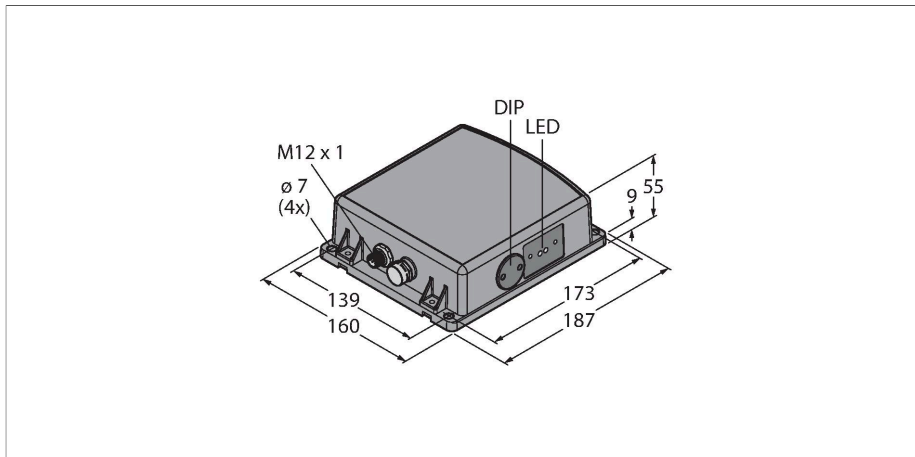


Q240RA-EU-AF2Q

Radar Sensor

With Switching Outputs



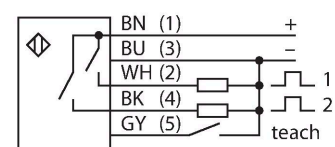
Technical data

Type	Q240RA-EU-AF2Q
ID	3092481
Radar data	
Function	Proximity switch
Operating mode	Time-of-Flight
Frequency band	K band, ISM region
Frequency range	24.05...24.25 GHz
Modulation	FMCW (Frequency Modulated Continuous Wave)
Range	1000...40000 mm
Edge lengths of the nominal actuator	500 mm
Number of radio channels	1
Duty cycle	100 %
Antenna connection	Internal, planar
Antenna gain	17.5 dBi
Antenna pattern	120 (Azimuth) / 250 (Elevation)
Side-lobe suppression	15 dB (azimuth) / 15 dB (elevation)
Output power ERP	-0.5 dBm/0.9 mW ERP
Output power EIRP	20 dBm/100 mW EIRP
Field strength max.	88-20log(m) dBuA/m or 24-20log(m) dBmW/m ²
Electrical data	
Operating voltage	12...30 VDC
No-load current	≤ 100 mA
Short-circuit protection	yes / Cyclic
Reverse polarity protection	yes

Features

- M12 × 1 male, 5-pin
- Protection class IP67
- FMCW radar (frequency-modulated continuous wave radar), detects stationary and moving objects
- Approved for Europe (incl. UK), Australia, New Zealand, Japan and China
- Max. range 40 m
- Configuration via DIP switch
- Operating voltage 12...30 VDC
- 2 PNP/NPN switching outputs

Wiring diagram



Functional principle

A PCR (Pulse Coherent Radar) device transmits a short, powerful pulse lasting a few microseconds and receives the reflected echo from objects. In contrast to continuously transmitting wave radars, the transmitter is already switched off before the end of the measurement process. The distance measurement to the object is carried out using a transit time method. As a result, unlike Continuous Wave (CW) radars, both stationary and moving objects can be detected.

Conformity
CE
ISM defined in ITU-R 5.138, 5.150 and 5.280
ETSI/EN 300 440
FCC Part 15

Technical data

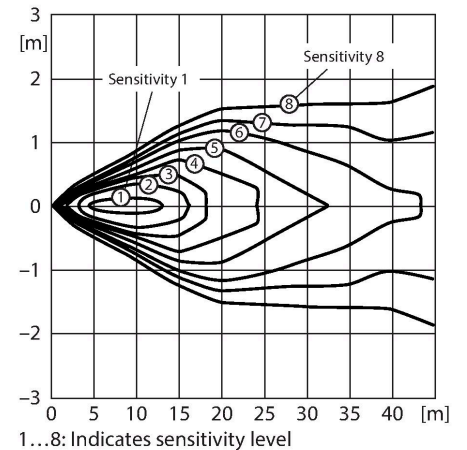
Output function	NO/NC programmable, PNP/NPN
Readiness delay	≤ 2000 ms
Response time typical	< 15 ms
Setting option	DIP switch Vision Software and Firmware

Mechanical data	
Design	Rectangular, Q240
Dimensions	55 x 158 x 186.9 mm
Housing material	Plastic, PC, Grey
Electrical connection	Connector, M12 × 1, PVC
Number of cores	5
Ambient temperature	-40...+65 °C
Protection class	IP67
Power-on indication	LED, Green
Switching state	LED, Yellow
Excess gain indication	LED, red

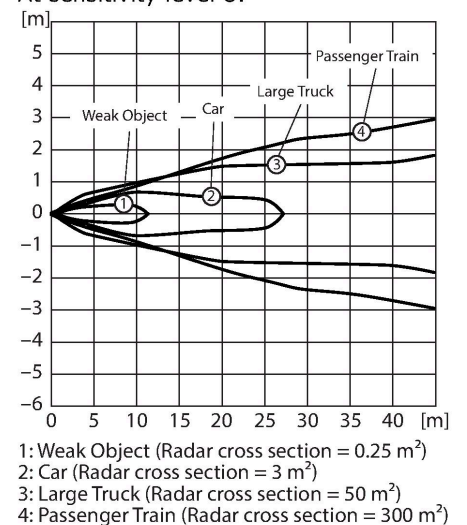
Tests/approvals	
MTTF	98 years acc. to SN 29500 (Ed. 99) 40 °C
Approvals	CE

RSS-210
ANATEL Category II
CMIIT Category G
ARIB STD T-73
KC mark — MSIP/RRA
NCC

Excess Gain Curve



At sensitivity level 8:



Accessories

Dimension drawing	Type	ID
	RKC4.5T-2/TEL	6625016



Connection cable, M12 female connector, straight, 5-pin, cable length: 2 m, jacket material: PVC, black; cULus approval

Dimension drawing

Type

WKC4.5T-2/TEL

ID

6625028

Connection cable, M12 female connector, angled, 5-pin, cable length: 2 m, jacket material: PVC, black; cULus approval

