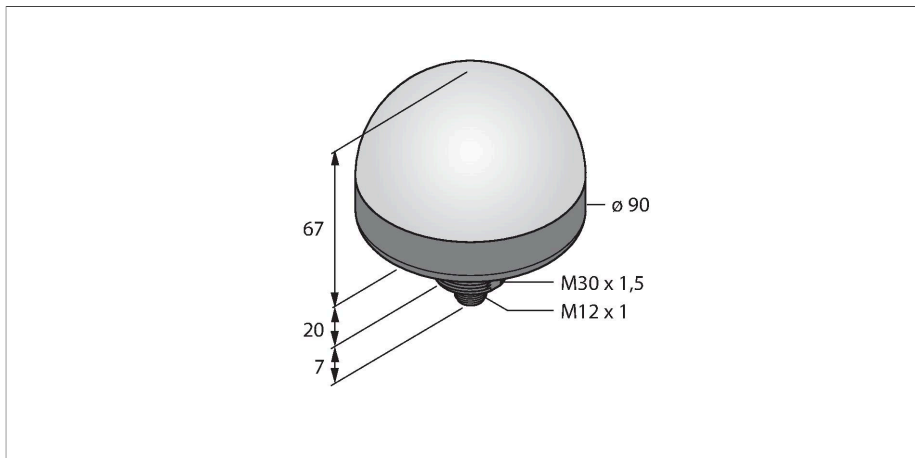


# K90LBGYRPQ

## LED Indicator – Beacon



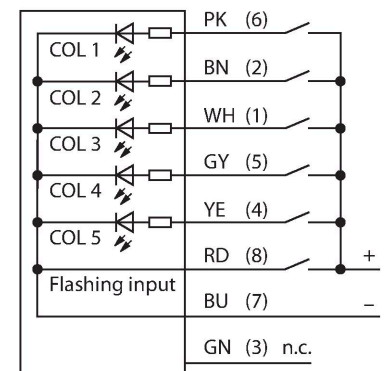
### Technical data

Type	K90LBGYRPQ
ID	3092823
<b>Signal and display data</b>	
Purpose	LED indicator light
Function	Spotlight
Light type	Blue Green Yellow Red
LED service life (L70)	50000 h
Dimmable	No
Features of color 1	Blue, Permanently on, 55 lm
Features of color 2	Green, 150 lm
Features of color 3	Yellow, 35 lm
Features of color 4	Red, 65 lm
<b>Electrical data</b>	
Operating voltage	12...30 VDC
Max. current consumption per color	475 mA
Input power	5.7 W
Input type	PNP
Response time typical	< 75 ms
<b>Mechanical data</b>	
Cascadable	No
Design	Dome, K90L
Dimensions	Ø 90 x 87 mm
Housing material	Plastic, PC
Window material	Polycarbonate, diffuse
Electrical connection	Connector, M12 × 1, PVC

### Features

- All-round LED display
- Protection class IP67
- Mechanical screw-in thread M30 x 1.5
- M12 x 1 male, 8-pin
- Polychrome: Blue (COL 1) / Green (COL 2) / Yellow (COL 3) / Red (COL 4)
- Flashing function (1.6 Hz) selectable via function input
- Operating voltage: 12...30 VDC
- Individually controllable
- Inputs: PNP

### Wiring diagram



### Functional principle

The LED display is suitable for industrial use thanks to its rugged design in protection class IP67. The LED display is on during the input signal period.

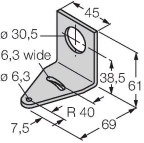
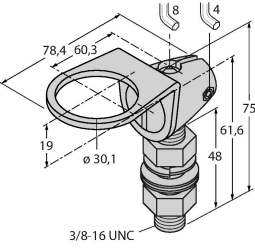
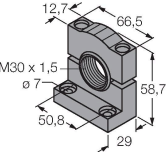
Only a color at any time lights up. Higher color numbers override lower. COL 3 overrides for example COL 1 and 2.

If the function input is connected to the supply voltage, the function switches from steady on to flashing.

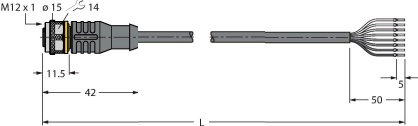
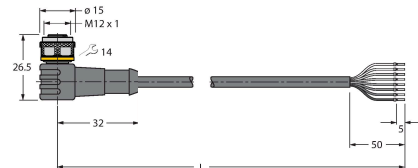
## Technical data

Number of cores	8
Ambient temperature	-40...+50 °C
Protection class	IP67
Tests/approvals	
Approvals	CE, UL listed

## Accessories

SMB30A	3032723	Mounting bracket, rectangular, stainless steel, for sensors with 30mm thread	SMB30FA	3074005	Montagewinkel; Werkstoff VA 1.4401
					
SMB30SC	3052521	Mounting bracket, PBT black, for sensors with 30 mm thread, rotatable			
					

## Accessories

Dimension drawing	Type	ID	
	RKC8T-2/TEL	6625130	Connection cable, M12 female connector, straight, 8-pin, cable length: 2 m, jacket material: PVC, black; cULus approval
	WKC8T-2/TEL	6625133	Connection cable, M12 female connector, angled, 8-pin, cable length: 2 m, jacket material: PVC, black; cULus approval