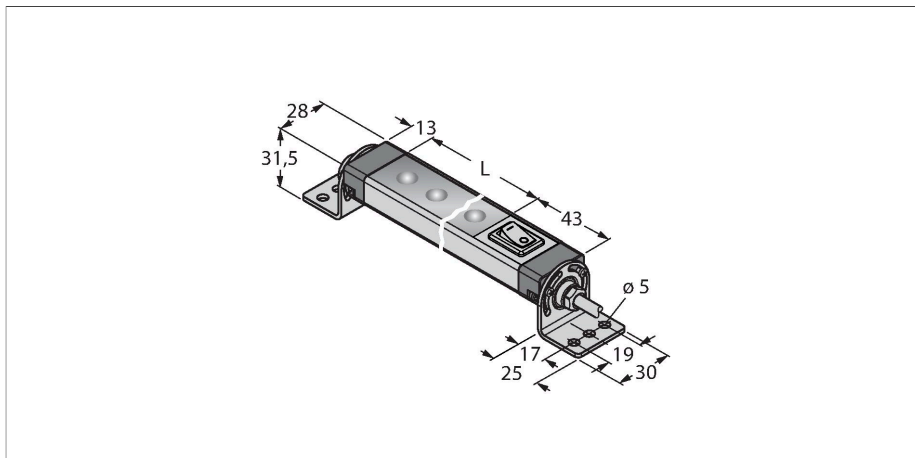


WLS28-2XW285L25XPB

Work Light – Linear Light



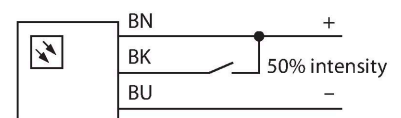
Technical data

Type	WLS28-2XW285L25XPB
ID	3087979
Signal and display data	
Purpose	LED work light
Function	Linear light
Light type	White
Color temperature	6100...+7000 K
Luminous flux lumen	650 lm
Aperture angle degree	25 °
Beam angle	25°
LED service life (L70)	50000 h
Dimmable	Two-stage
Features of color 1	White, Permanently on, 600 lm
Electrical data	
Operating voltage	12...30 VDC
DC rated operational current	≤ 660 mA
Input power	7.92 W
Mechanical data	
Cascadable	No
Design	Rectangular, WLS28-2
Dimensions	354.5 x 28 x 32.2 mm
Housing material	Metal, AL
Window material	Acrylic, clear
Electrical connection	Cable, 2 m, PVC
Number of cores	3
Ambient temperature	-40...+70 °C
Storage temperature	-40...+70 °C

Features

- ON/OFF switch
- Light beam: 285mm
- Operating voltage: 12...30 VDC
- Protection class: IP50
- Color: White
- Cable, PVC, 2 m
- Window with 25-degree lens
- SMBWLS28RA mounting bracket included in delivery

Wiring diagram



Functional principle

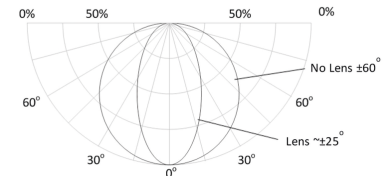
The low-energy LED work lights are ideally suited for industrial applications. The color temperature is between 6,000 and 7,100 Kelvin (cool white). Depending on the model, the luminous flux is 325 or 2600 lumen. Some work lights are switched on/off via supply power (10...30 VDC) and some types by means of a button directly at the LED lamp. In addition, the LED can be dimmed to 50% of its light output by activating a high signal on PIN 4, or for the variants with a switch, by means of a further switch position. On some models the light output is continuously dimmable via a PWM signal on pin 4. Cascadable variants are also available. Variants with a clear or diffuse plastic windows, as well as with an aperture angle of 25°.

Application note:
 Cascading with 12 V supply allows total light length of 1.4 m. Cascading with 24 V supply allows total light length of 3.0 m. Cascading

Technical data

Relative humidity	0...90 %
Protection class	IP50
Tests/approvals	
Approvals	CE, UL

with 30 V supply allows total light length of 3.1 m.
At 50% light intensity, the length specifications should be doubled.

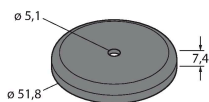


Light Length	Typical Current			Max. Current
	12 VDC	24 VDC	30 VDC	A
145 mm	0.33 A	0.15 A	0.12 A	0.4
285 mm	0.66 A	0.30 A	0.24 A	0.8
430 mm	1.01 A	0.46 A	0.36 A	1.2
570 mm	1.36 A	0.61 A	0.48 A	1.6
710 mm	1.75 A	0.77 A	0.60 A	2.0
850 mm	2.13 A	0.92 A	0.73 A	2.4
990 mm	2.59 A	1.08 A	0.85 A	2.8
1130 mm	3.04 A	1.24 A	0.97 A	3.2

Accessories

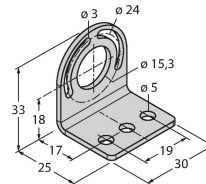
SMBWLSMAG 3019574

Magnetic fixture for mounting work lights and sensors, 2 pieces



SMBWLS28RA 3015764

Mounting bracket, angled, metal, for WLS28 work lights, 5 mm drill holes, screw set included



SMBWLS28SP 3088063

Snap bracket for mounting WLS28 work lights

