



EN Operating Instructions page 1
Original

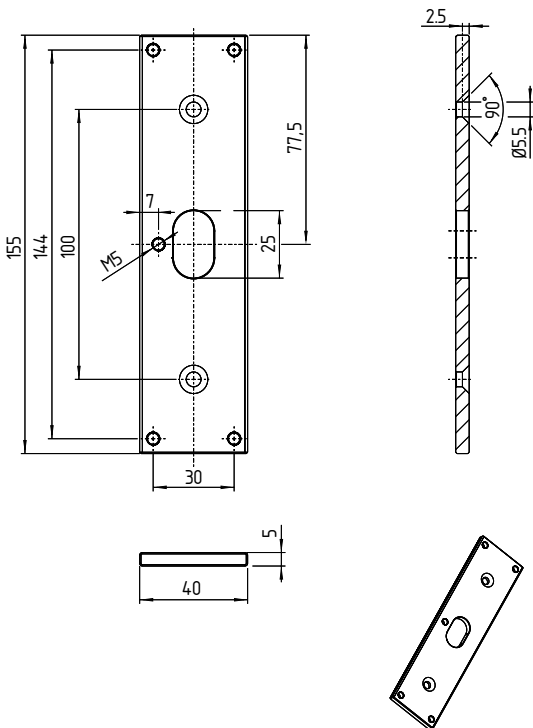
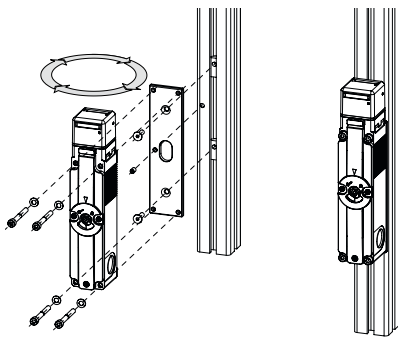
The mounting plates shown are for attachment of the AZM150 solenoid interlock to standard profile rails with a width of 40 mm.

Secure the mounting plate against slipping by using the locking screw. Turn the actuator head to the required position.

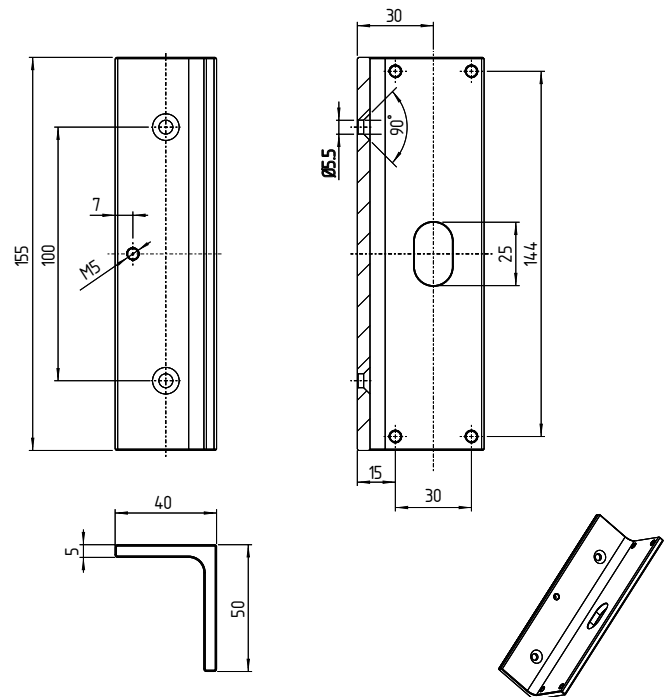
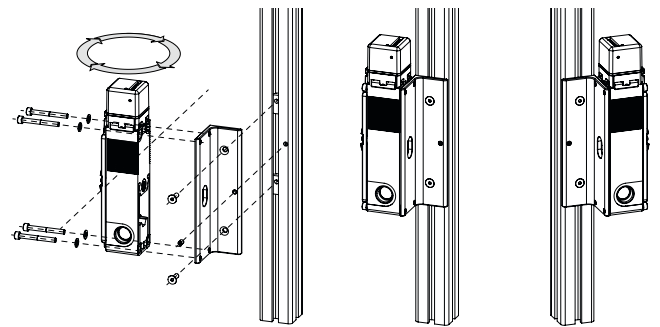
Included in the scope of delivery of the mounting plate in each case:

- 1 mounting plate
- 4 cylindrical screws M5 x 45
- 4 washers
- 1 grub screw M5 x 8

MP-AZM150-1



MP-AZM150-2-R/L



Production site:

SCHMERSAL
Industrial Switchgear (Shanghai) Co., Ltd.
Cao Ying Road 3336
201712 Shanghai / Qingpu, P.R.CHINA

施迈赛工业开关制造（上海）有限公司
地址：上海市青浦区漕盈路3336号
邮编：201712

K.A. Schmersal GmbH & Co. KG
Mödinghofe 30, 42279 Wuppertal
Germany

Phone: +49 202 6474-0
Telefax: +49 202 6474-100
E-Mail: info@schmersal.com
Internet: www.schmersal.com

Phone: +86-21-63 75 82 87
Fax: +86-21-69 21 43 98
E-Mail: info@schmersal.com.cn
Internet: www.schmersal.com.cn

电话：021-63 75 82 87
传真：021-69 21 43 98

网址 www.schmersal.com.cn